



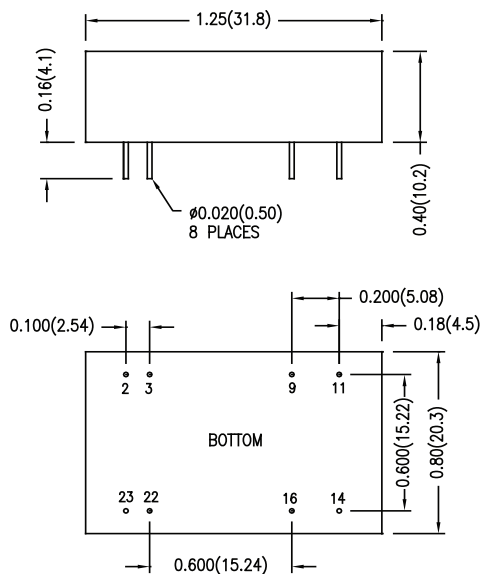
- Efficiency up to 85%
- 1500VDC Isolation
- MTBF > 1,000,000 Hours
- 4:1 Input Range
- UL60950 Approved
- RoHS Compliant



3-4 Watt DMC Single and Dual Series



Model Number	Voltage			Current				Reflected Ripple	Input Overvoltage (1000ms)	Efficiency	Capacitive Load
	Input		Output	Input		Output					
	Nom. (VDC)	Range (VDC)	(VDC)	@ No Load (mA)	@ Max Load (mA)	Min (mA)	Max (mA)	Typ (mA)	Max (VDC)	@ Max Load (% Typ)	Max (Dual each output)
DMC3H24S3R3	24	9-36	3.3	20	161	90	900	5	50	77	3000 μ F
DMC3R3H24S5	24	9-36	5	20	170	66	660	5	50	81	3000 μ F
DMC4H24S12	24	9-36	12	20	201	33	333	5	50	83	3000 μ F
DMC4H24S15	24	9-36	15	20	201	27	267	5	50	83	3000 μ F
DMC3H24D5	24	9-36	\pm 5	20	156	\pm 30	\pm 300	5	50	80	680 μ F
DMC4H24D12	24	9-36	\pm 12	20	201	\pm 17	\pm 167	5	50	83	680 μ F
DMC4H24D15	24	9-36	\pm 15	20	201	\pm 13	\pm 133	5	50	83	680 μ F
DMC3H48S3R3	48	18-75	3.3	10	79	90	900	5	100	78	3000 μ F
DMC3R3H48S5	48	18-75	5	10	84	66	660	5	100	82	3000 μ F
DMC4H48S12	48	18-75	12	10	98	33	333	5	100	85	3000 μ F
DMC4H48S15	48	18-75	15	10	98	27	267	5	100	85	3000 μ F
DMC3H48D5	48	18-75	\pm 5	10	76	\pm 30	\pm 300	5	100	82	680 μ F
DMC4H48D12	48	18-75	\pm 12	10	98	\pm 17	\pm 167	5	100	85	680 μ F
DMC4H48D15	48	18-75	\pm 15	10	98	\pm 13	\pm 133	5	100	85	680 μ F



Pin Connections (NC) Not Connected		
Pin	Single	Dual
2	-Vin	-Vin
3	-Vin	-Vin
9	No Pin	Common
11	NC	-Vout
14	+Vout	+Vout
16	-Vout	Common
22	+Vin	+Vin
23	+Vin	+Vin

Dimensions are inches (mm) unless noted

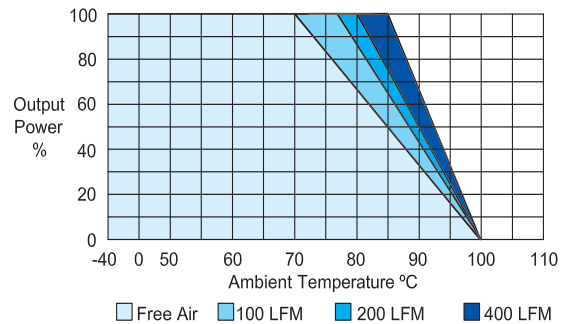
Tolerance: Inches Millimeters
 X.XX \pm 0.01 X.X \pm 0.25
 X.XXX \pm 0.005 X.XX \pm 0.13
 Pin \pm 0.002 \pm 0.05

See Model Selection Table for Model Specific Parameters

Input Parameters	Min	Typ	Max	Units	
Reverse Polarity Input Current			1	A	
Short Circuit Input Power			2000	mW	
Start Voltage	24 Vin 48 Vin	4.5 8.5	6 12	8.5 17	VDC
Under Voltage Shutdown	24 Vin 48 Vin		8 16	VDC	
Switching Frequency		350		kHz	
Input Filter	Pi Filter				
Conducted EMI	Meets EN55022, Class A and FCC Part 15, Class A				
Output Parameters	Min	Typ	Max	Units	
Output Voltage Accuracy		±0.5	±1.0	%	
Output Voltage Balance Dual Output, Balanced Loads		±0.5	±2.0	%	
Load Regulation Io = 10% to 100%		±0.3	±1.0	%	
Line Regulation Vin=Min. to Max.		±0.2	±0.5	%	
Ripple & Noise (20MHz)		50	75	mV P-P	
Ripple & Noise (20 MHz) Over Line, Load & Temp			100	mV P-P	
Ripple & Noise (20 MHz)			15	mV RMS	
Over Power Protection	120			%	
Transient Recovery Time 25% Load Step Change		150	500	µs	
Transient Response Deviation, 25% Load Step Change		±2		%	
Temperature Coefficient		±0.01	±0.02	% / °C	
Short Circuit Protection	Continuous				
General Specifications	Min	Typ	Max	Units	
Isolation Voltage, 60 seconds	1500			VDC	
Isolation Resistance 500VDC	1000			Mohms	
Isolation Capacitance, 100kHz, 1V		380	500	pF	
Operating Temperature (Ambient)	-40		+85	°C	
Case Temperature			+90	°C	
Storage Temperature	-40		+125	°C	
Humidity			95	%	
MTBF MIL-HDBK-217F @25°C, Ground Benign	1000			K Hours	
Cooling	Free-Air Convection				
Case Size	1.25 x 0.80 x 0.40 inches 31.8 x 20.3 x 10.2 mm				

Notes:

- Specifications typical at Ta=+25°C, resistive load, nominal input voltage, full rated output current unless otherwise noted.
- Transient recovery time is measured to within 1% error band for a step change in output load 75% to 100%.
- ConTech power converters require a minimum output loading to maintain specified regulation. Operation under no-load conditions will not damage these modules; however, they may not meet all specifications listed.
- The series has a limitation of a maximum connected capacitance at the output. The power module may be operated in current limiting mode during start-up, affecting the ramp-up and the startup time.
- When measuring peak-to-peak output noise, use a Cout 0.47µF ceramic capacitor. Scope measurement should be made by using a BNC socket, measurement bandwidth is 0-20MHz. Position the load between 2" and 2.5" from the converter.
- Water washability - ConTech DC/DC converters are designed to withstand most solder/wash processes. Careful attention should be used when assessing the applicability in your specific manufacturing process. Converters are not hermetically sealed.
- See ConTech website for Definition of Terms, Application Notes, and Test Setups and Parameters. www.ConTech-us.com/appnotes.html.
- Specifications subject to change without notice.
- See ConTech website www.ConTech-us.com/pdf/rohs.pdf for RoHS Statement.



Derating Curve

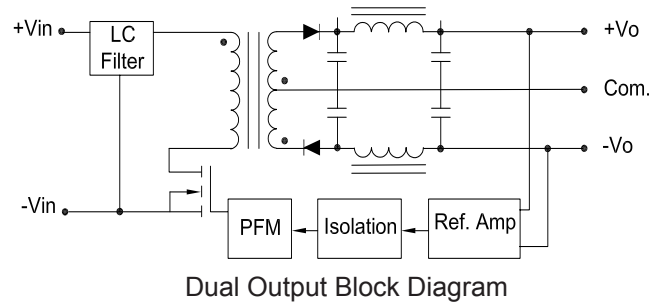
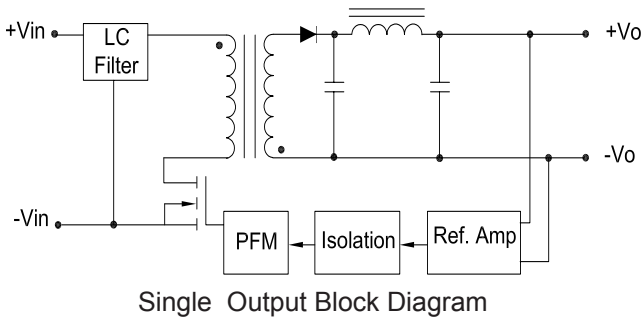
To avoid exceeding the maximum temperature rating of the components inside the power module, the case temperature must be kept below 90°C.

Input Fuse Selection Table	
24V Input	1000 mA Slow-Blow
48V Input	500 mA Slow-Blow

External fusing should be used for system protection due to a catastrophic failure. See ConTech website for Fusing Application Notes to determine the correct fuse.

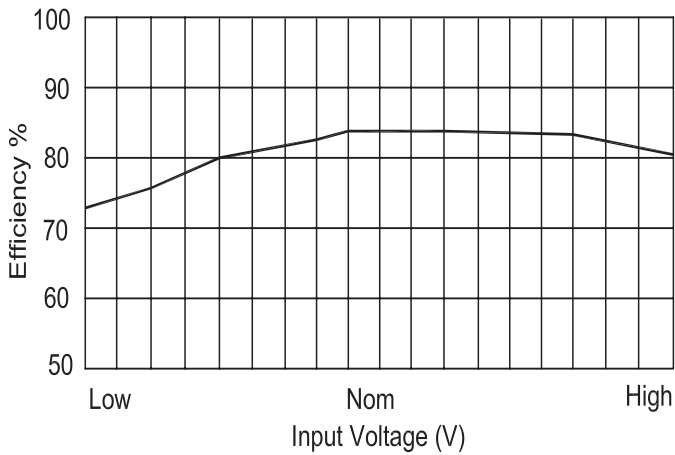


Block Diagrams

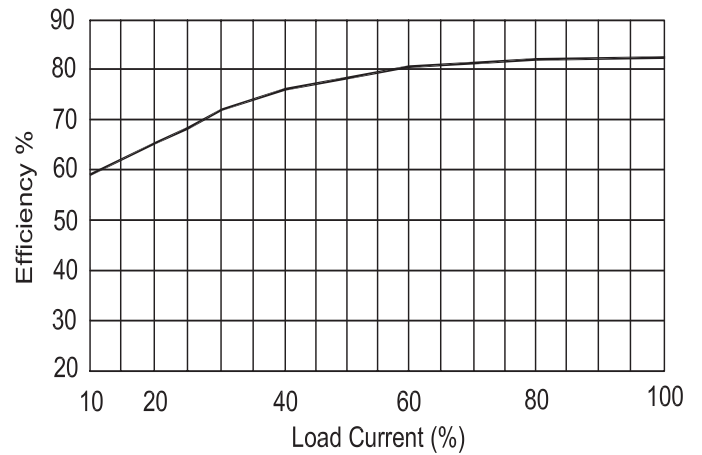


Efficiency Curves

Single Output

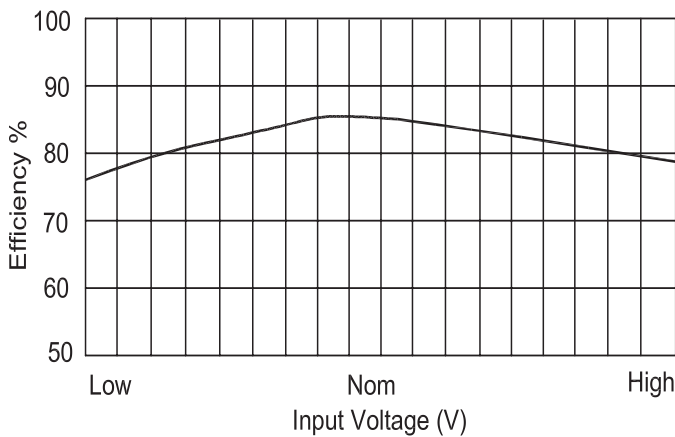


Efficiency vs Input Voltage

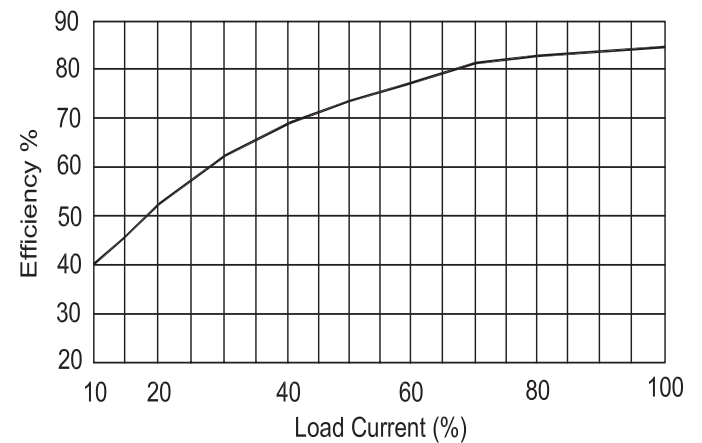


Efficiency vs Output Load

Dual Output



Efficiency vs Input Voltage



Efficiency vs Output Load