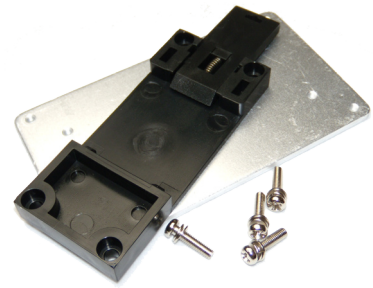




DIN Rail Mounting Kit

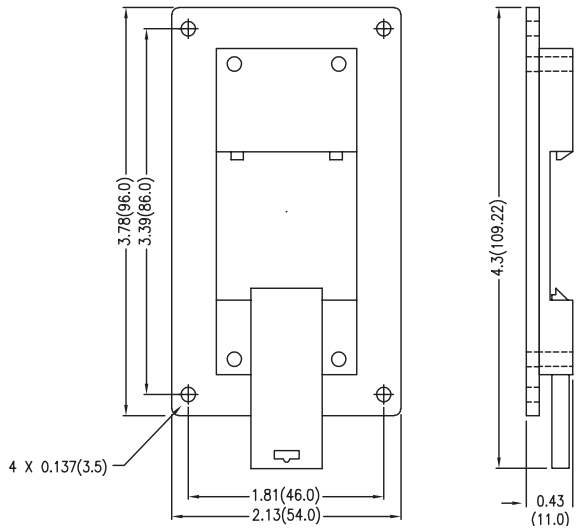


Kit includes Mounting Plate, Clip, and Hardware.
(Power Supply not included)

Dimensions are inches (mm) unless noted

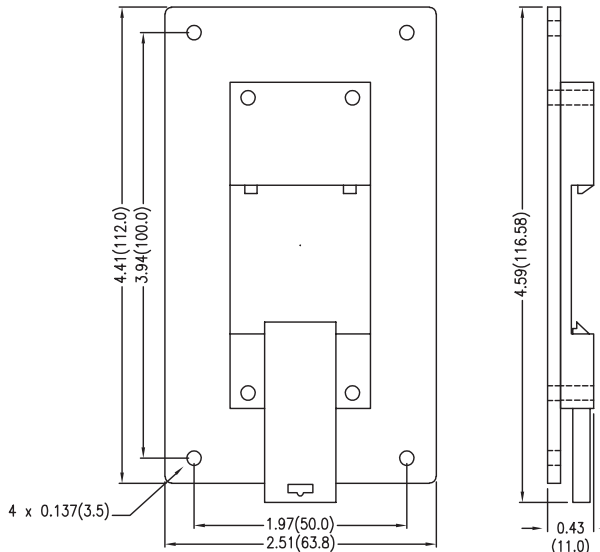
Tolerance:	Inches	Millimeters
	X.XX ±0.02	X.X ±0.5
	X.XXX ±0.01	X.XX ±0.25

DIN-01



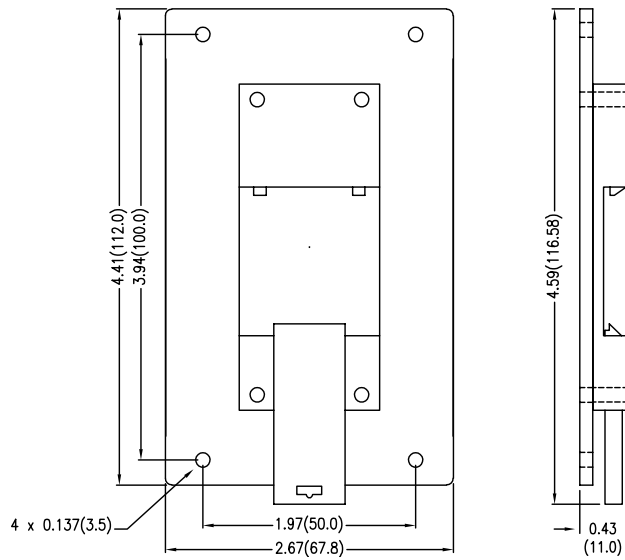
Designed to fit the PC-15
Power Supply Series

DIN-02



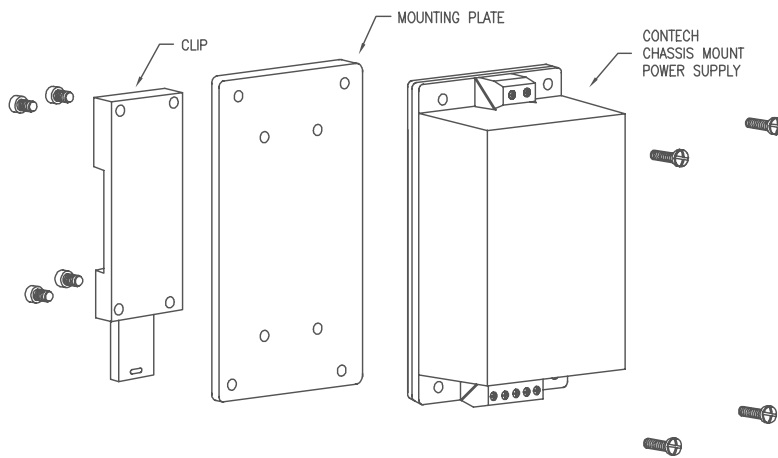
Designed to fit the PC-30
Power Supply Series

DIN-03



Designed to fit the PC-60
Power Supply Series

Typical Assembly



Kit includes Mounting Plate, Clip, and Hardware.
(Power Supply not included)