



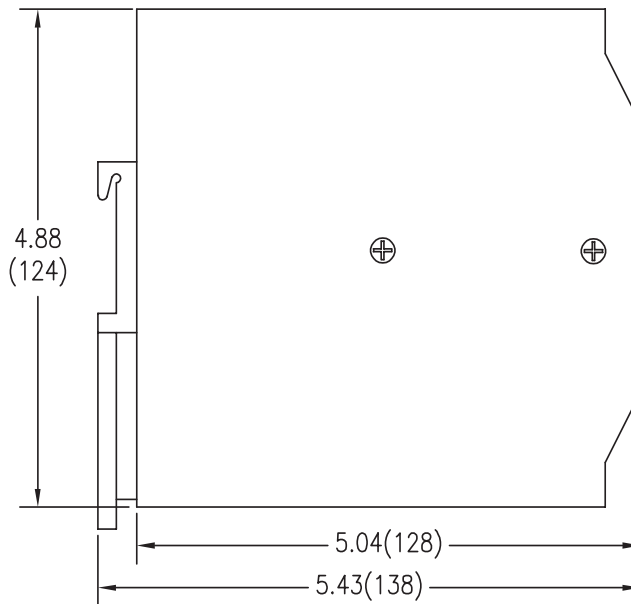
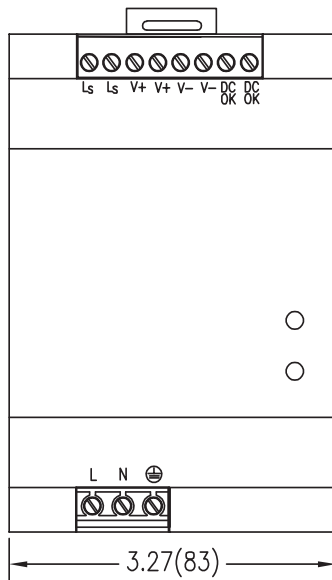
480 Watt Din Mount Single Output AC/DC Power Supply

- Power Factor Corrected
- Universal Input Range
- Single Output
- Power On Indication
- Short Circuit Protection
- Overload Protection
- Over Voltage Protection
- Over Temperature Protection
- MTBF > 200,000 Hours



Model Number	Voltage Output (VDC)	Current		Voltage Adjustment Range VDC	Load Regulation	Efficiency (%)	
		Input (VAC)	Output				
			Min (A)				Max (A)
DNP480-24	24	90 - 264	0	20	24 - 28	±2%	94
DNP480-36	36	90 - 264	0	13.5	36 - 40	±2%	94
DNP480-48	48	90 - 264	0	10	48 - 55	±2%	94

Dimensions are inches (mm) unless noted



See Model Selection Table for Model Specific Parameters

Input Parameters	Min	Typ	Max	Units
Input Voltage Range Designed for optimal performance in the nominal input range of 100 - 240VAC.	90	230	264	VAC
Input Frequency	47	60	63	Hz
Inrush Current 230 VAC 115 VAC Full Load Cold Start			35 20	A
Power Factor 115 VAC Full Load 230 VAC Full Load	0.99 0.96			
Input Fuse	T10A/250 VAC			
Output Parameters	Min	Typ	Max	Units
Ripple & Noise (20MHz) 24V 36V 48V			100 150 150	mV
Set-up Time (230 VAC Full Load)		2		ms
Rise Time (230 VAC Full Load) Vo rise from 10% to 90% of models output voltage		60		ms
Hold Time (230 VAC Full Load)		20		ms
Line Regulation		±0.5		%
Over Voltage Protection Shut down O/P voltage, repower to recover	120		140	% of Vo
Over Current Protection 230 VAC, Full Load	110		150	% of Vo
Over Temperature Shutdown Shut down O/P voltage recovers automatically after temperature			95	°C
Short Circuit Protection ≤ 7.5 mA, Input to Output	Constant Current Limiting, Automatic Recovery			
General Specifications	Min	Typ	Max	Units
Isolation Voltage, 60 seconds	3000			VAC
Operating Temperature (Ambient)	-25		+70	°C
Storage Temperature	-40		+85	°C
Humidity			90	%
MTBF (MIL-HDBK-217F)	500			K Hours
Cooling	Free-Air Convection			
Case Size (Not including Din Clip)	5.04 x 3.27 x 4.88 inches 128 x 83 x 124 mm			
Weight	1.32kg			
Agency Approval	CE Marked UL/CSA Pending			

Notes:

- Specifications typical at Ta=+25°C, 230VAC, 60Hz input voltage, rated output current unless otherwise noted.
- Ripple & Noise measured with a 0.1 µF ceramic and 47 µF electrolytic in parallel with output, 20MHz bandwidth.
- Long term short circuit operation may cause damage to the unit.
- Water washability - ConTech Mounted Power Supplies are not sealed and should not be subjected to any type of wash process.
- See ConTech website for Definition of Terms, Application Notes, and Test Setups and Parameters. www.ConTech-us.com/appnotes.html.
- Specifications subject to change without notice.
- See ConTech website www.ConTech-us.com/pdf/rohs.pdf for RoHS Statement.